

DIN-RAIL/WALL MOUNTING KIT

The DIN-rail/wall mounting kit allows you to mount a variety of National Instruments products to a DIN rail, wall, or any flat surface. This installation guide lists the contents of your kit and contains instructions for installing the DIN-rail mounting brackets and wall mounting brackets.

What You Need to Get Started

To set up and use your DIN-rail/wall mounting kit you need the following items:

- National Instruments product
- DIN-rail/wall mounting kit
 - 2 straight mounting brackets
 - 2 bent mounting brackets
 - 2 DIN-rail clips
 - 4 screws (4-40 × 1/4, flat head)
 - 4 screws (4-40 × 1/4, pan head)
 - *DIN-Rail/Wall Mounting Kit Installation Guide*
- Small Phillips-head screwdriver



Note If you are using the wall mounting bracket, you need up to four pan-head screws, up to a #10/0.20 in. diameter. These screws are *not* included in the kit.

If your DIN-rail/wall mounting kit is missing any of its components, contact National Instruments.

DIN-Rail Mounting Bracket Installation

To mount your product to a DIN rail, refer to Figure 1 while completing the following steps:

1. Choose the mounting orientation of your product. You can mount the product in either orientation shown, with the exception of the large 10 in. products.
2. Align the screw holes of the bent mounting bracket with the holes on the back side of the product. Be sure to put both brackets in the same orientation.
3. Insert the four pan-head screws and tighten them until they are secure.
4. Insert the DIN-rail clips into the brackets, pressing firmly until the clips lock into place.
5. Attach your product to the DIN rail with the DIN-rail clips.



Note You can ground the enclosure to the DIN rail by inserting a grounding lug (not included) under one of the mounting screws.

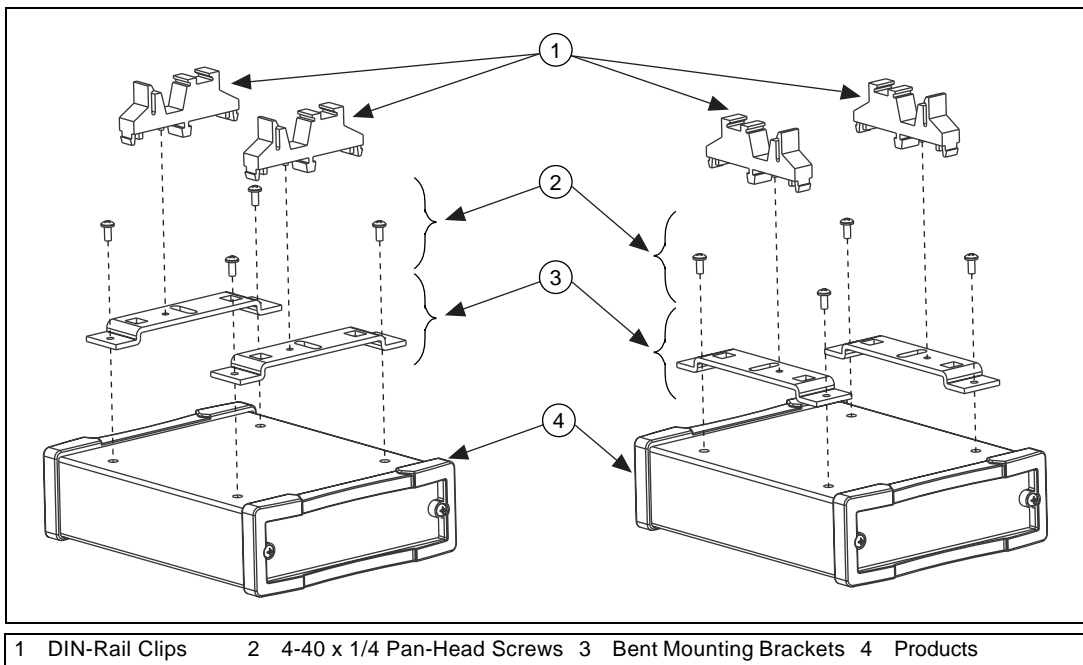


Figure 1. Product Showing DIN-Rail Mounting Kit Orientations

Wall Mounting Bracket Installation

To mount your product to any flat surface, refer to Figure 2 while completing the following steps:

1. Align the screw holes of the straight mounting bracket with the holes on the back side of the product.
2. Insert the four flat-head screws and tighten them until they are secure. Make sure that the heads of the screws are flush with the bracket.
3. Use any pan-head screws up to a #10/0.20 in. diameter to mount the product to any flat surface.

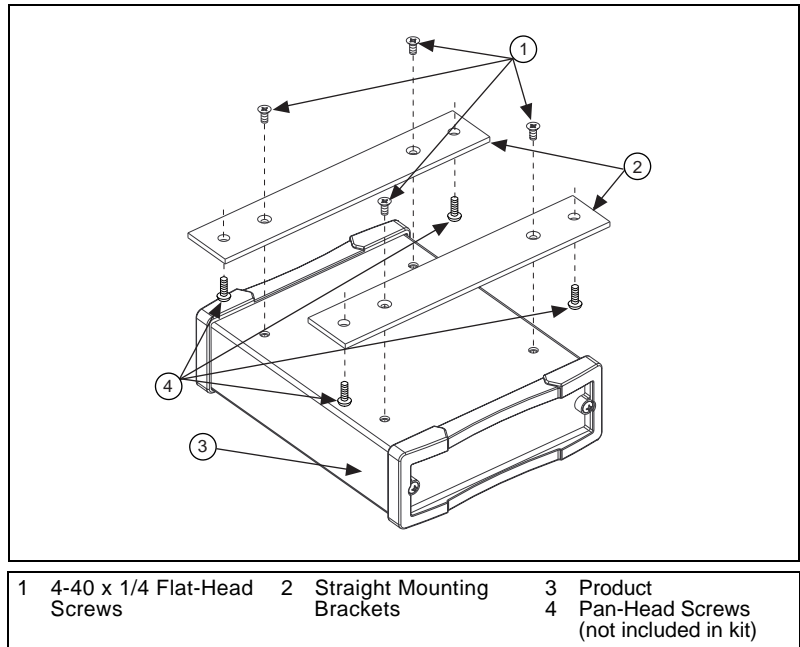


Figure 2. Product with Wall Mounting Kit



322608B-01

Mar00